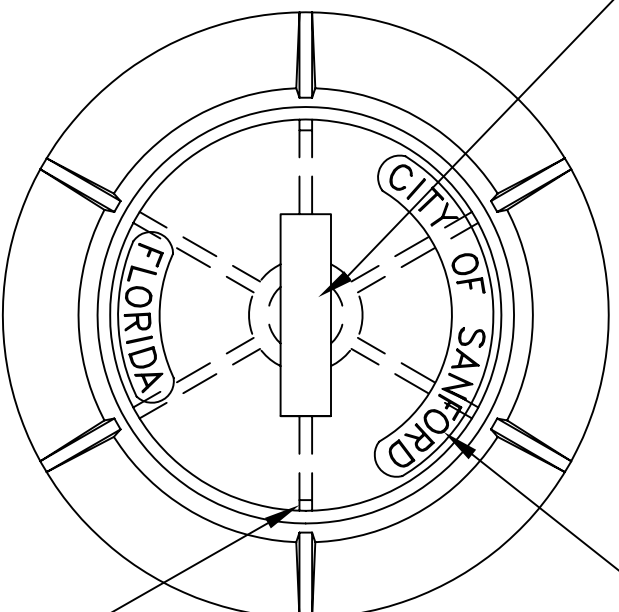


RAISED 1-1/2" LETTERS
 FLUSH WITH TOP OF COVER
 "SANITARY" OR "WATER AIR RELEASE"
 "SEWER AIR RELEASE," OR "STORM WATER"
 AS APPLICABLE

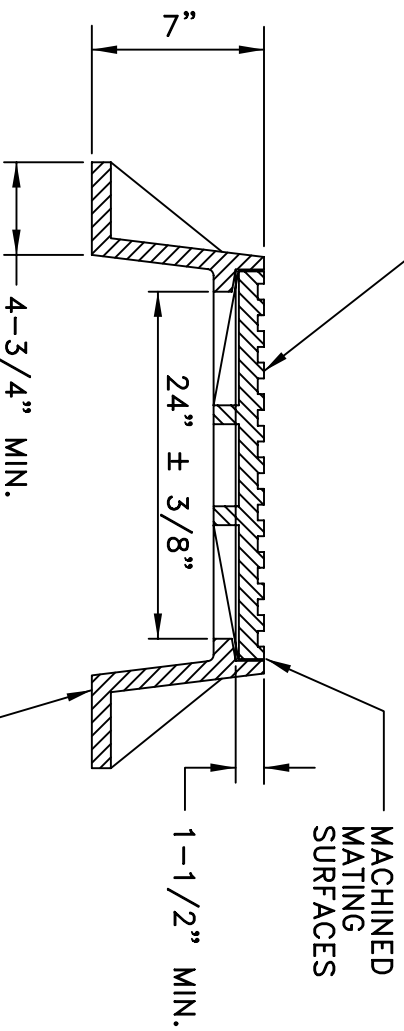


"CITY OF SANFORD"
 FOR CITY MAINTAINED
 FACILITIES ONLY

2 NON-PENETRATING
 PICK HOLES

PLAN

ALL COVERS USF "AS"
 OR EQUAL.



MACHINED
 MATING
 SURFACES

1-1/2" MIN.

4-3/4" MIN.

7"

24" ± 3/8"

MANHOLE FRAME: USF "227"
 INLET FRAME: USF "1295"
 OR EQUAL.

ELEVATION

STANDARD MANHOLE FRAME AND COVER